

Assembly Instructions

Ⓐ M6*50=8PCS

Ⓑ 3.5*60=23+1PCS

Ⓒ 3.5*45=18+1PCS

Ⓓ 3.5*35=24+1PCS

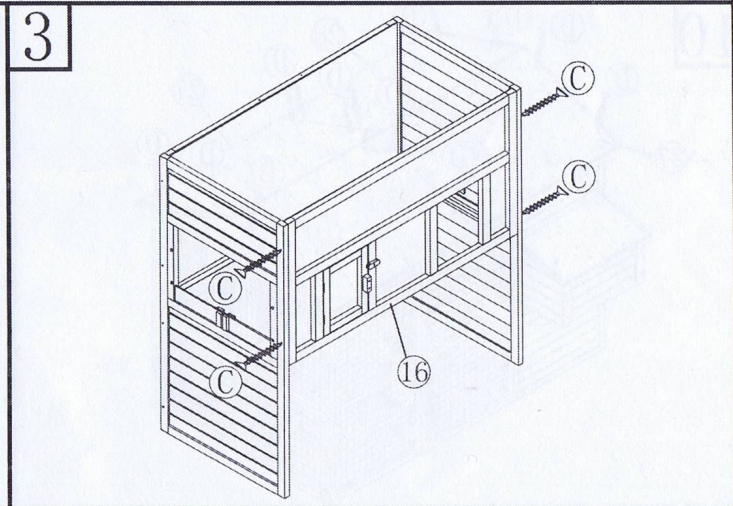
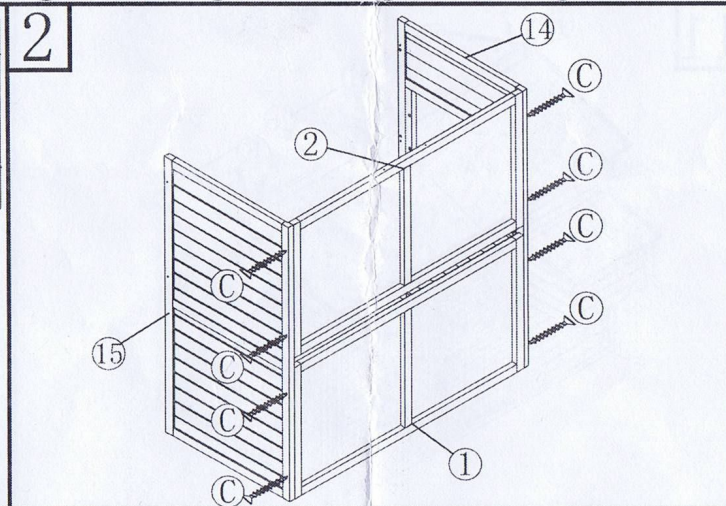
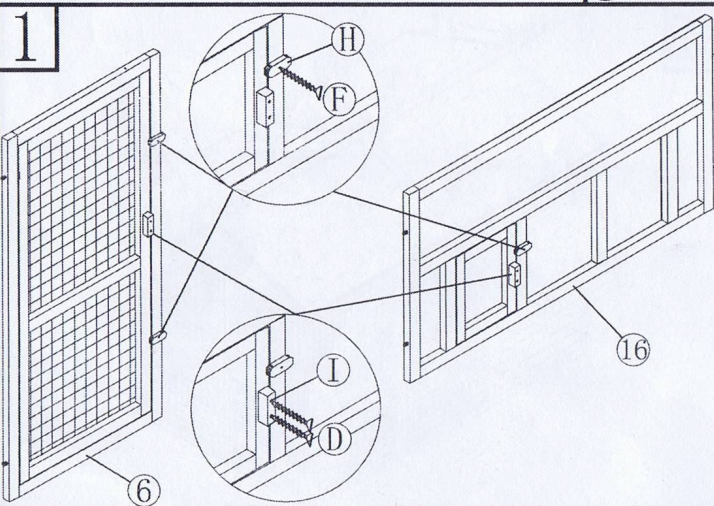
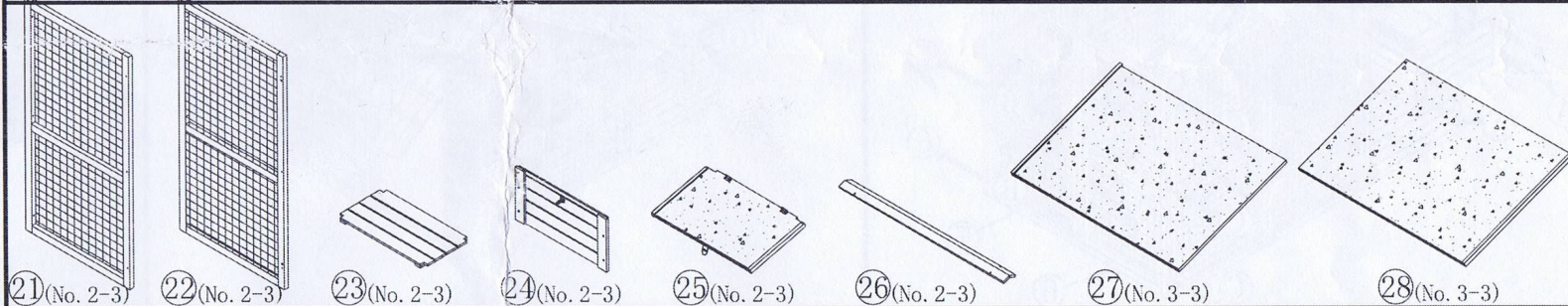
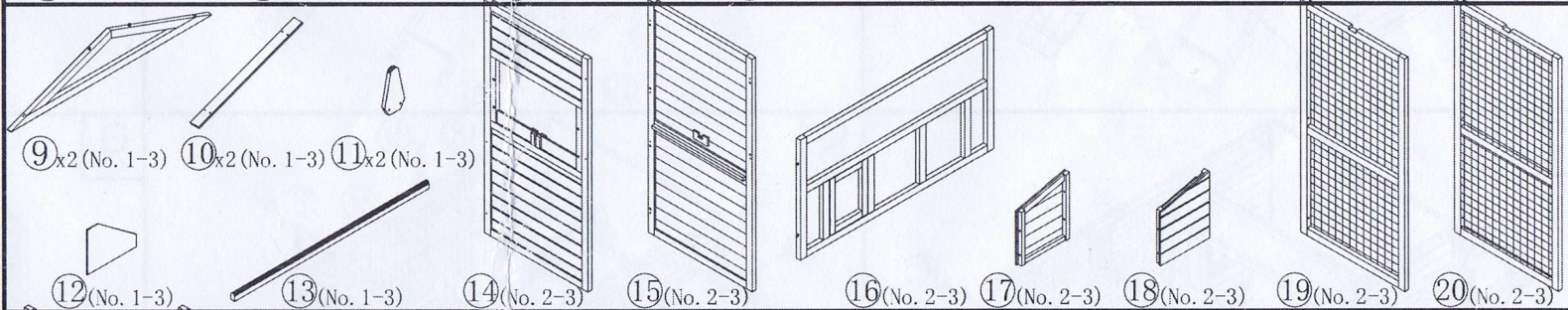
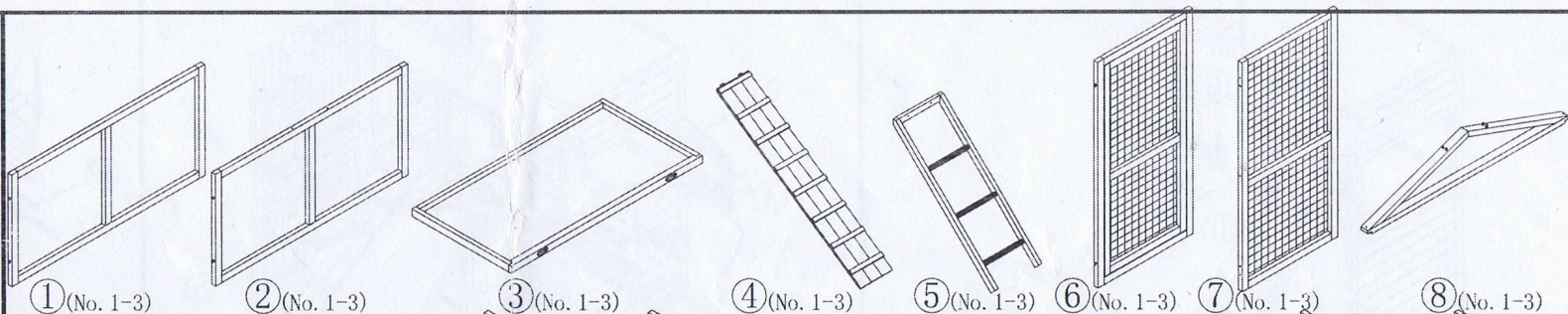
Ⓔ 3.5*25=16+1PCS

Ⓕ 3.0*25=7+1PCS

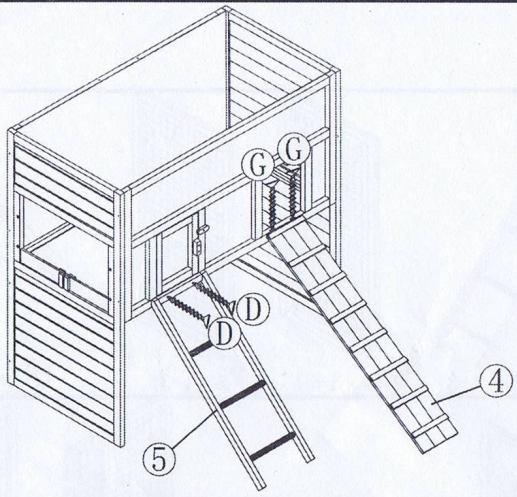
Ⓖ 3.0*16=6+1PCS

Ⓕ 3PCS

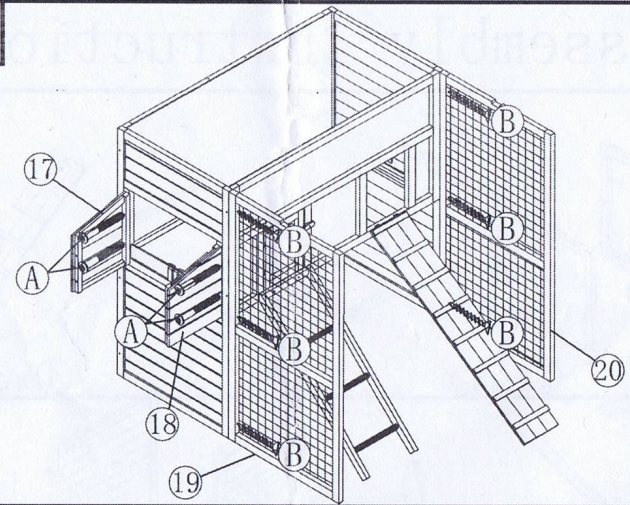
Ⓖ 2PCS



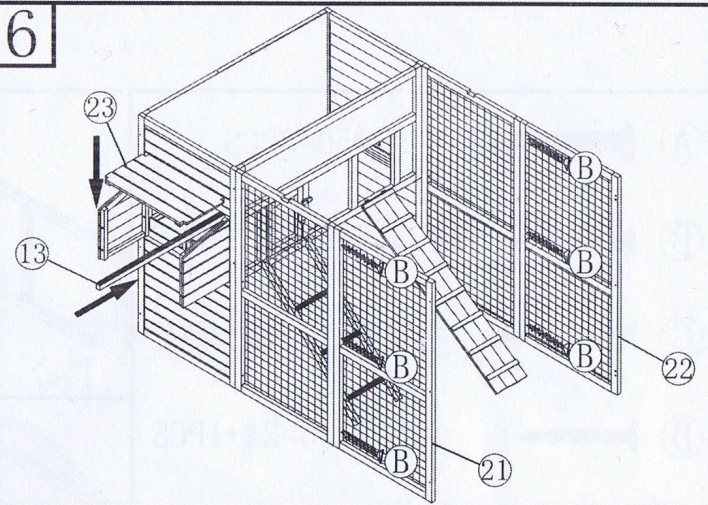
4



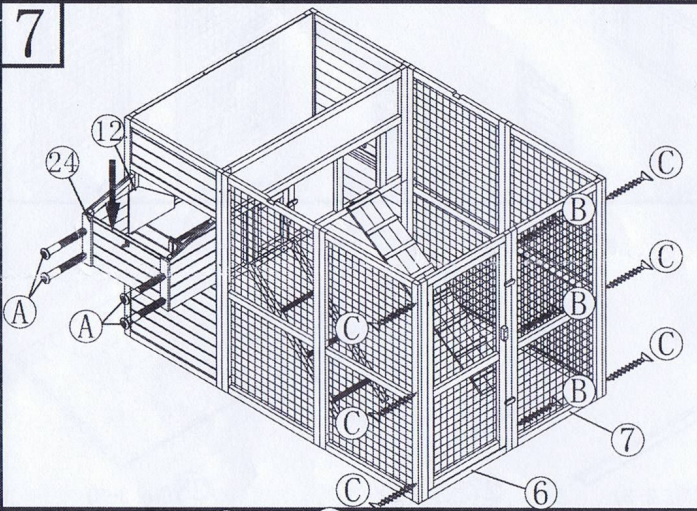
5



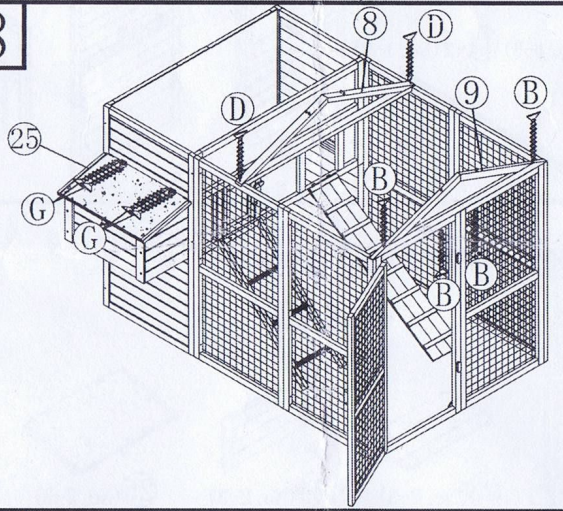
6



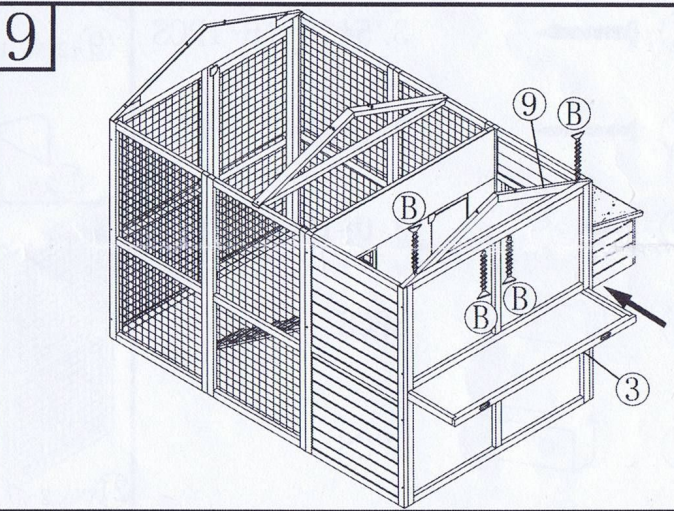
7



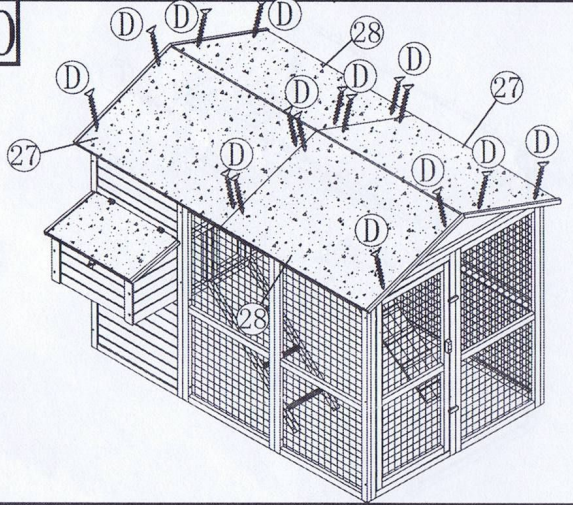
8



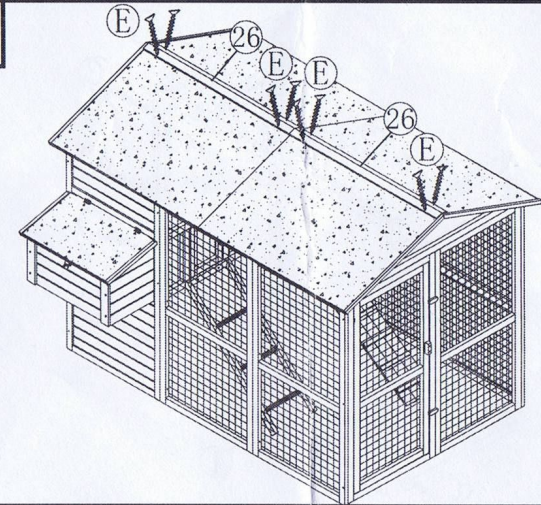
9



10



11



12

